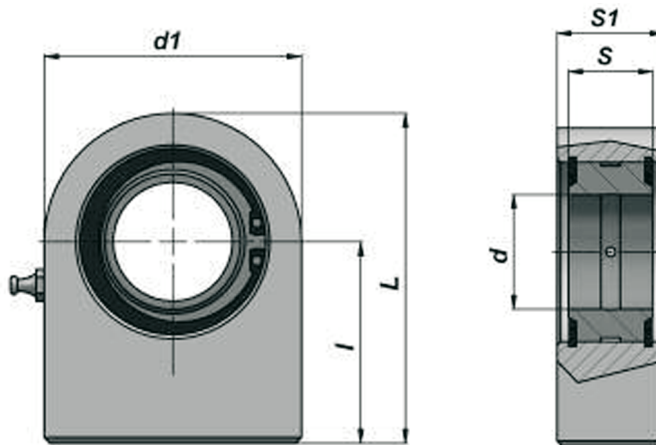


**BASE OSCILLANTE
SWINGING END**

CODICE	Ø SF	Ø D2	Ø D	L	LF	F	L1	H	TIPO	Kg.
CSB0001980	45	30	110	62			9	45	1	2,20
CSB0001982	55	45	95	78			8	55	1	2,88
CSB0001984	65	64	107	88			9	58	1	3,96
CSB0001986	45	30	110	61	26	M22x1,5		45	2	2,42
CSB0001988	55	45	95	78	35	M32x2		55	2	3,10

Materiale: Acciaio C40



**TERMINALE A SNODO RILUBRIFICABILE TS..N
BALL-JOINT END WITH GREASE NIPPLE**

CODICE	d	l	d1	S	S1	L
CSTS016N00	16	35	48	14	17,5	59
CSTS020N00	20	38	50	16	19	63
CSTS025N00	25	45	55	20	23	72,5
CSTS030N00	30	51	65	22	28	83,5
CSTS035N00	35	61	83	25	30	102,5
CSTS040N00	40	69	100	28	35	119
CSTS045N00	45	77	110	32	40	132
CSTS050N00	50	88	123	35	40	149,5
CSTS060N00	60	100	140	44	50	170
CSTS070N00	70	115	164	49	55	197
CSTS080N00	80	141	180	55	60	231

Materiale: acciaio ST 52.3

Material: steel ST 52.3