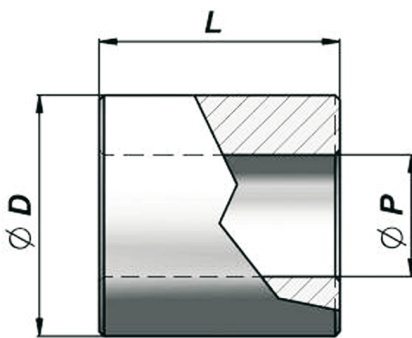


**BOCCOLA CBF  
BUSH CBF**

| CODICE                                   | D  | P    | L  | G   |
|--|----|------|----|-----|
| CBF0012025025                            | 25 | 12,1 | 25 | 5,5 |
| CBF0016030035                            | 30 | 16,2 | 35 | 5,5 |
| CBF0020040040                            | 40 | 20,5 | 40 | 5,5 |
| CBF0025050045                            | 50 | 25,5 | 45 | 5,5 |
| CBF0030050055                            | 50 | 30,5 | 55 | 5,5 |
| CBF0030065070                            | 65 | 30,5 | 70 | 5,5 |
| <b>Materiale:</b> acciaio FE 510C-9SMn28 |    |      |    |     |
| <b>Material:</b> steel FE510C-9SMn28     |    |      |    |     |

**BOCCOLA CB  
BUSH CB**



| CODICE                                   | D  | P     | L   |
|--|----|-------|-----|
| CB16035030                               | 35 | 16,25 | 30  |
| CB16035060                               | 35 | 16,25 | 60  |
| CB20040040                               | 40 | 20,25 | 40  |
| CB20040070                               | 40 | 20,25 | 70  |
| CB20040050                               | 50 | 25,25 | 50  |
| CB25050080                               | 50 | 25,25 | 80  |
| CB25050090                               | 50 | 25,25 | 90  |
| CB30060060                               | 60 | 30,25 | 60  |
| CB30060110                               | 60 | 30,25 | 110 |
| CB40070070                               | 70 | 40,25 | 70  |
| CB40070130                               | 70 | 40,25 | 130 |
| <b>Materiale:</b> acciaio FE 510C-9SMn28 |    |       |     |
| <b>Material:</b> steel FE510C-9SMn28     |    |       |     |