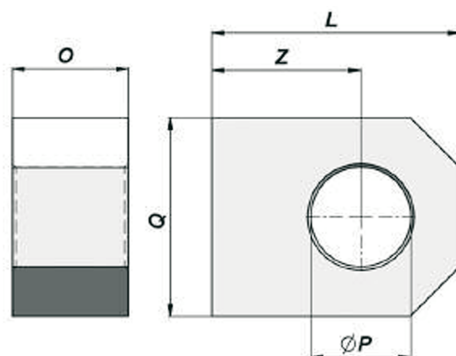


**FORCELLA PIEGATA A SALDARE CFP  
WELDABLE BENT FORK**

CODICE	P	L	Z	H	Q	W
CFP4010125	20,25	125	105	20	40,5	20,5
CFP4510067	20,25	67	40	27	43	23
CFP4510132	22,25	132	107	25	48	28
CFP5015135	26,25	135	110	25	52	22
CFP5015140	26,25	140	110	30	63	33
CFP6020175	26,25	175	145	30	75	35
CFP6020180	28,25	180	150	30	80	40
<b>Materiale:</b> acciaio FE 37						
<b>Material:</b> steel FE 37						



**STAFFA CON FORO**

CODICE	P	Q	L	O	Z
COF1600000	16,2	35	42	20	25
COF2000000	20,25	45	50	25	30
COF2500000	25,25	50	60	30	35
COF3000000	30,25	60	75	35	45
COF3500000	35,25	70	90	40	55
<b>Materiale:</b> acciaio FE 37					
<b>Material:</b> steel FE 37					