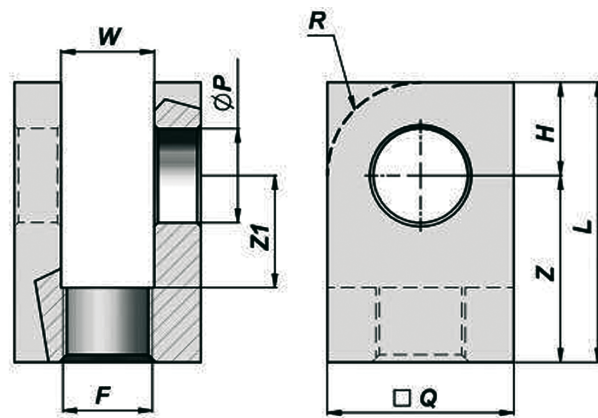


**FORCELLA A SALDARE CFS  
WELDABLE FORK CFS**

CODICE	P	L	Z	Z1	H	Q	W
CFS0000016	16,20	50	34	24	16	35	16
CFS0000020	20,25	60	40	30	20	40	20
CFS0000025	25,25	70	45	30	25	50	25
CFS0000030	30,25	80	50	35	30	60	30
CFS0000035	30,25	90	55	40	35	70	35
<b>Materiale:</b> acciaio FE 52							
<b>Material:</b> steel FE 52							



**FORCELLA FILETTATA CFF  
THREADED FORK CFF**

CODICE	P	L	Z	Z1	H	Q	W	F
CFF0161615	16,2	55	39	24	16	35	16	M16x1,5
CFF0202015	20,25	65	45	30	20	40	20	M20x1,5
CFF0252420	25,25	75	50	30	25	50	25	M24x2
CFF0303020	30,25	95	65	35	30	60	30	M30x2
CFF0353320	35,25	110	75	40	35	70	35	M33x2
<b>Materiale:</b> acciaio FE 52								
<b>Material:</b> steel FE 52								